

## ELEMENT 30/220-240/12 G2 (NEW)

ELEMENT G2 12V | Constant Voltage – Non dimmable



### Product family features

- Linear form factor
- Power factor: >0.95 at full load
- Total Harmonic Distortion (THD): < 15%
- Output voltage tolerance: < 3%
- Up to 30,000 h @  $T_c$  max / up to 50,000 h @  $T_c$  -10 °C
- Lifetime: up to 30,000 h (temperature at max.  $t_c$ )

### Product family benefits

- High efficiency (up to 91 %)
- Higher quality of light thanks to < 3% output ripple current
- Excellent price/performance ratio
- Class II design for wide application
- 3 years guarantee

## Areas of application

- Decorative lighting in hospitality, restaurants and Shops
- Shelf lighting
- Cove lighting
- Under cabinet lighting

## Technical data

### Electrical data

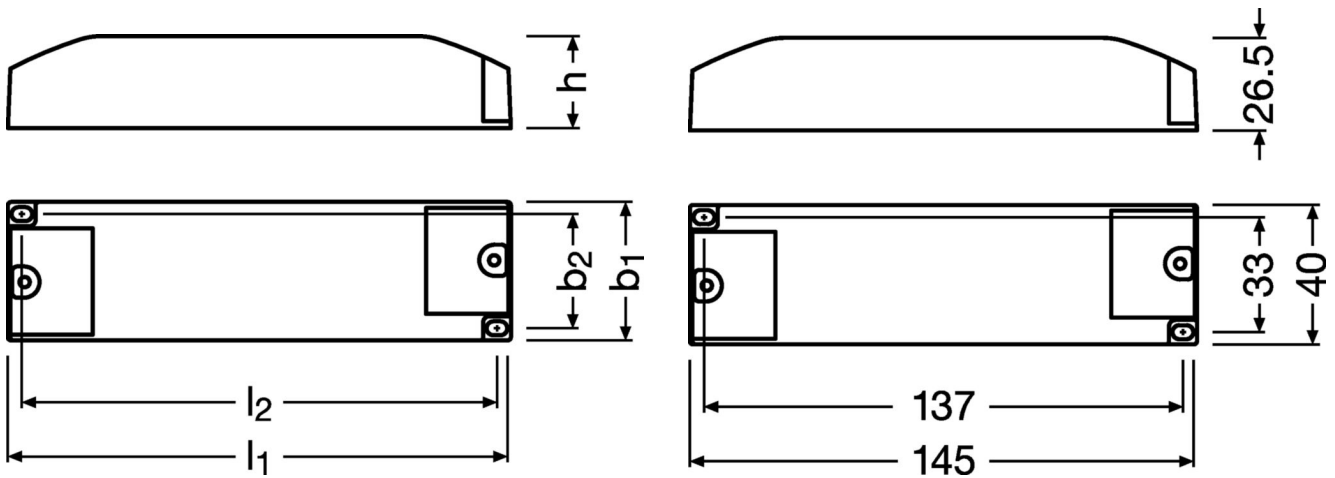
<b>Nominal input voltage</b>	220...240 V
<b>Mains frequency</b>	50...60 Hz
<b>Input voltage AC</b>	198...264 V
<b>Power factor <math>\lambda</math></b>	> 0.95
<b>Efficiency in full-load</b>	86 % <sup>1)</sup>
<b>Device power loss</b>	4.9 W <sup>2)</sup>
<b>Inrush current</b>	<13.2 A <sup>3)</sup>
<b>Max. ECG no. on circuit breaker 10 A (B)</b>	29
<b>Max. ECG no. on circuit breaker 16 A (B)</b>	47
<b>Surge capability (L/N-Ground)</b>	2 kV
<b>Surge capability (L-N)</b>	1 kV
<b>Nominal output voltage</b>	12.5 V
<b>U-OUT (working voltage)</b>	12.125 V ~ 12.875 V
<b>Nominal output power</b>	30 W
<b>Maximum output power</b>	30 W
<b>Galvanic isolation</b>	SELV

1) at 230 V, 50 Hz

2) At Full load, 230 V, 50 Hz

3) Max,  $t_h = 200\mu s$

## Dimensions & weight



Length	145.0 mm
Width	40.0 mm
Height	26.5 mm
Cable cross-section, input side	0.75...1.5 mm <sup>2</sup>
Cable cross-section, output side	0.5...1.5 mm <sup>2</sup>
Wire preparation length, input side	5.0 mm
Product weight	100.00 g

## Colors & materials

Casing material	Plastic
-----------------	---------

## Temperatures & operating conditions

Ambient temperature range	-20...+50 °C
Maximum temperature at tc test point	75 °C
Max.housing temperature in case of fault	110 °C
Temperature range at storage	-40...+85 °C
Permitted rel. humidity during operation	5...85 % <sup>1)</sup>

1) Maximum 56 days/year at 85 %

## Lifespan

<b>ECG lifetime</b>	30000 h <sup>1)</sup>
---------------------	-----------------------

1) At maximum  $T_c = 75^\circ\text{C}$  / 10% failure rate / At maximum  $T_c = 65^\circ\text{C}$  / 10% failure rate

## Capabilities

<b>Dimmable</b>	No
<b>Max. cable length to lamp/LED module</b>	3.0 m <sup>1)</sup>
<b>Suitable for fixtures with prot. class</b>	I / II
<b>Number of channels</b>	1
<b>Short-circuit protection</b>	Yes
<b>Intended for no-load operation</b>	No

1) Output wires must be routed as close as possible to each other

## Certificates & standards

<b>Approval marks – approval</b>	BIS / CCC / CE / MM / RCM / UKCA
<b>Standards</b>	Acc. to EN 61347-1 / Acc. to EN 61347-2-13 / Acc. to EN 55015 / Acc. to EN 61547 / Acc. to EN 60598-1 / Acc. to EN 62384 / Acc. to CISPR 15 / Acc. to EN 61000-3-2/IEC 61000-3-2
<b>Type of protection</b>	IP20

## Logistical data

<b>Commodity code</b>	85044083900
-----------------------	-------------

## Environmental information

<b>Information according Art. 33 of EU Regulation (EC) 1907/2006 (REACH)</b>	
<b>Date of Declaration</b>	24-05-2024
<b>Primary Article Identifier</b>	4062172277846
<b>Declaration No. in SCIP database</b>	In work
<b>SCIP_STATUS</b>	In work
<b>SCIP_ID</b>	

## Download Data

File		
Mandatory Publications	PDF	▶ELEMENT 12V G2 CE 4399675 04 240724
Mandatory Publications	PDF	▶ELEMENT 12V G2 UKD 4438367 02 240724
User instruction	PDF	▶ELEMENT G2

## Logistical Data

Product code	Product description	Packaging unit (Pieces/Unit)	Dimensions (length x width x height)	Volume	Gross weight
4062172277846	ELEMENT 30/220-240/12 G2	Shipping carton box 40 Pieces	421 x 315 x 96 mm	12.73 dm <sup>3</sup>	113.98 g

The mentioned product code describes the smallest quantity unit which can be ordered. One shipping unit can contain one or more single products. When placing an order, for the quantity please enter single or multiples of a shipping unit

## Disclaimer

Subject to change without notice. Errors and omission excepted. Always make sure to use the most recent release.